

4

3

2

1

D

D

C

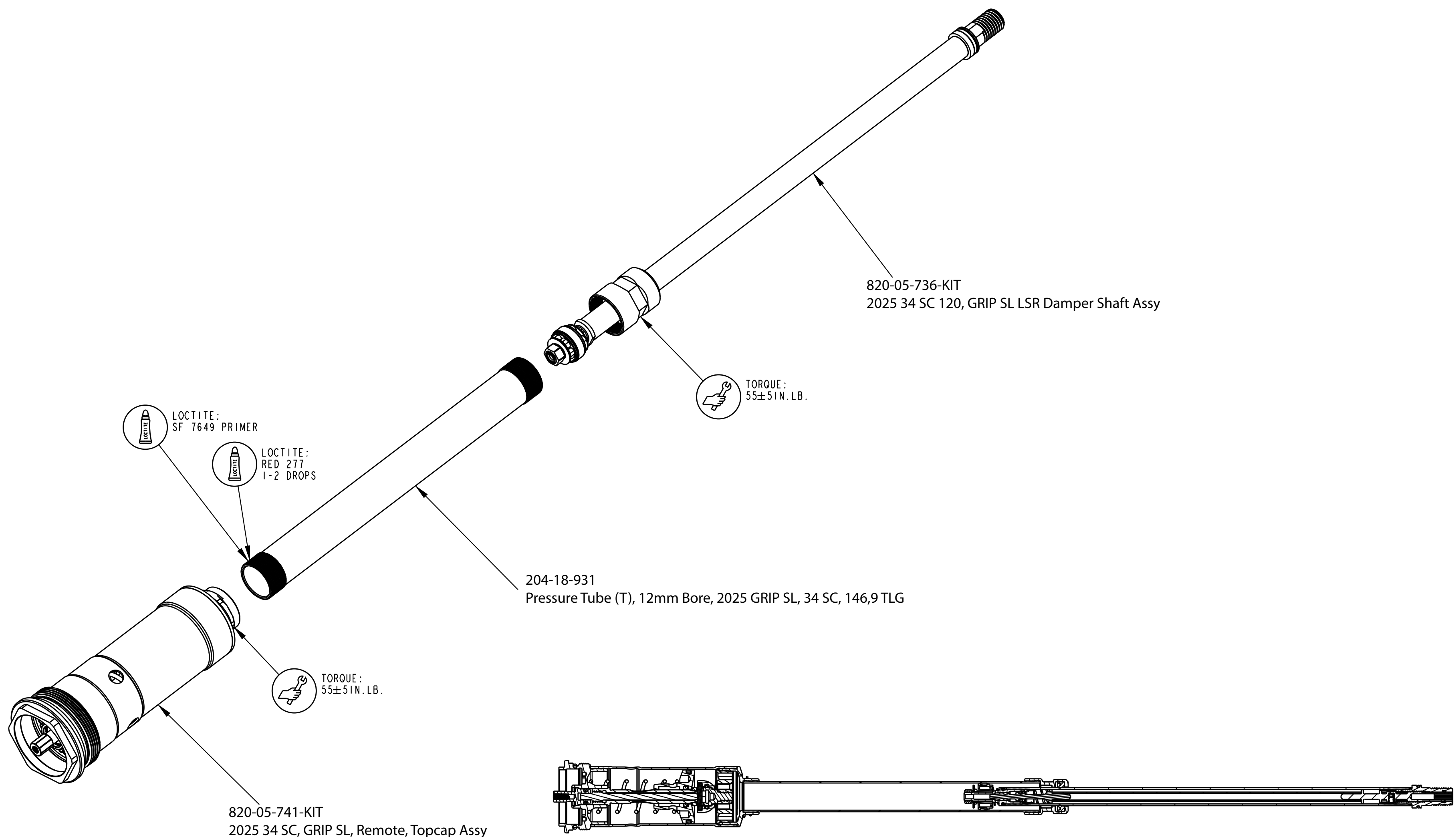
C

B

B

A

A



LOCTITE:
SF 7649 PRIMER

LOCTITE:
RED 277
1-2 DROPS

TORQUE:
55±5 IN. LB.

204-18-931
Pressure Tube (T), 12mm Bore, 2025 GRIP SL, 34 SC, 146,9 TLG

TORQUE:
55±5 IN. LB.

820-05-741-KIT
2025 34 SC, GRIP SL, Remote, Topcap Assy

820-05-736-KIT
2025 34 SC 120, GRIP SL LSR Damper Shaft Assy

SECTION A-A
SCALE 3:4

- PROPRIETARY -
THIS DOCUMENT CONTAINS CONFIDENTIAL, PROPRIETARY INFORMATION
THAT IS FOX PROPERTY. DO NOT DISCLOSE TO OR DUPLICATE
FOR OTHERS EXCEPT AS AUTHORIZED BY FOX.

FOX FOX Factory, Inc. Ph 831-768-1100
130 Hangar Way, Watsonville, CA 95076 USA Fax 831-768-9312
TITLE 2025 34 SC 120, GRIP SL,
Remote, Cart Assy

SIZE DWG. NO.
C |
PLOT SCALE 1:1 | SHEET 1 OF 1

4

3

2

1

PROE ASSEM